

MMB SOLARIX 250kW GRID INVERTER



Three level Central inverter

The three phase inverter is designed in 3-Level topology, gives a more efficiency and power than standard 2-Level inverter. The high performance grid central inverter gets a new addition with the DC/DC MMB String Optimizer.

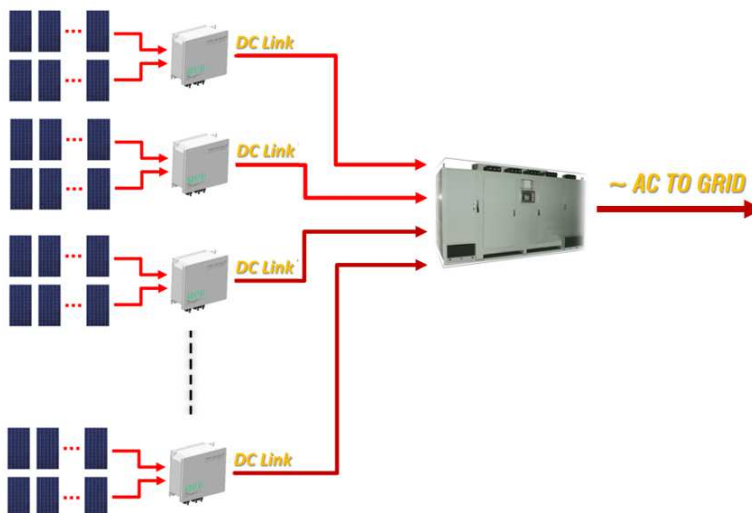
Features:

- Generated 5% more Energy than a standard 2 – level inverter
- Power cell power 250kW
- Full nominal power in continuous operation at ambient temperatures up to 55 °C
- High efficiency power conversion
- The use of multilevel inverters is improving efficiency in dc-ac conversion. The converter produces an output waveform very close to a sinusoidal wave, with extremely low harmonic distortion levels
- Additional input for a wind power inverter, batteries, diesel generator, etc.

Benefits for investor:

- Increase return on investment
- Flexible hybrid system design
- Modular design ensuring highest system availability and reliability

MMB Multi String



MMB SOLARIX 250kW GRID INVERTER

INPUT DATA	POWER MODULE 250 T3
Nominal input voltage (U _{dc nom})	690 V
Max. input current	490 A
Input voltage range	650 - 750 V
OUTPUT DATA	
AC nominal output (P _{ac,r})	250,000 W (at 55°C)
AC output current (I _{ac nom})	382 A at 400V AC
Grid connection (voltage range)	3~NPE 400 V / 230 V or 3~NPE 480 V (+20 % / -30 %)
Frequency (frequency range)	50 Hz/ 60Hz (45-65 Hz)
Total harmonic distortion	< 2 %
Power factor (cos φ _{ac,r})	0.8 - 1 ind. / cap.
Feed-in phases / connection phases	3 / 3
GENERAL DATA	
Dimensions (height x width x depth)	2000 x 600 x 600 mm
Weight	~300 kg
Degree of protection - AC inverter	IP54, IP65 - option
Ambient temperature	-20 to +55°C
Noise emission	45 dB(A)
Maximum permissible value for relative	100%
Protection class	1
Overvoltage category - DC / AC	2 / 2
Topology / cooling concept - AC inverter	LF Topology/ Active cooling
Integrated transformer	No
Standby consumption	<100W
EFFICIENCY	
Max. Efficiency	98,5 %
European factor η _{EU}	96,8 %
PROTECTIVE DEVICES	
Ground fault protection	Yes
DC disconnecter	Main switch disconnecter
Overload behaviour	Power limitation
INTERFACES	
RS485	Modbus
CAN	Option
USB (A socket)	Service port, inverter update
Ethernet	LAN
Wireless	RF or Wi-Fi transceiver
Certificates and compliance with standards	EN 50438, IEC 62109-1/-2, IEC 62116, IEC 61727, IEC/ EN 61000-3-12:2005
Guarantee options:	5 / 10 / 20 years