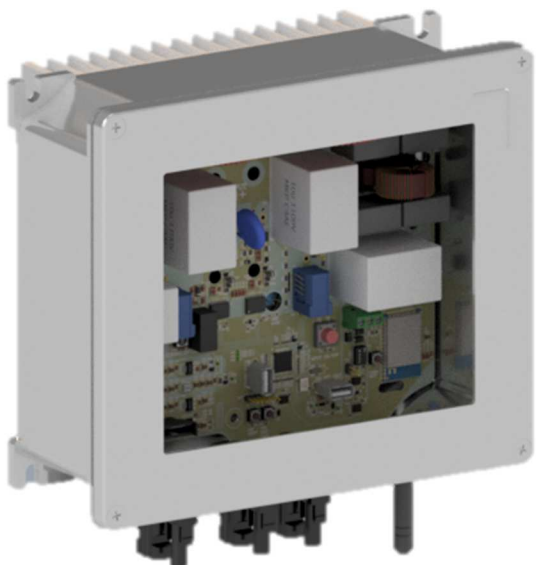


## MMB SOLARIX 12.0 STRING OPTIMIZER



### DC/DC String Optimizers

MMB Solarix String Optimizers are DC/DC converters improve the performance of large-scale PV systems. The use of semiconductor transistor based on silicon carbide provides high quality and efficiency of the energy conversion. New technology can increase the reliability of the device and increase energy yield of photovoltaic installation.

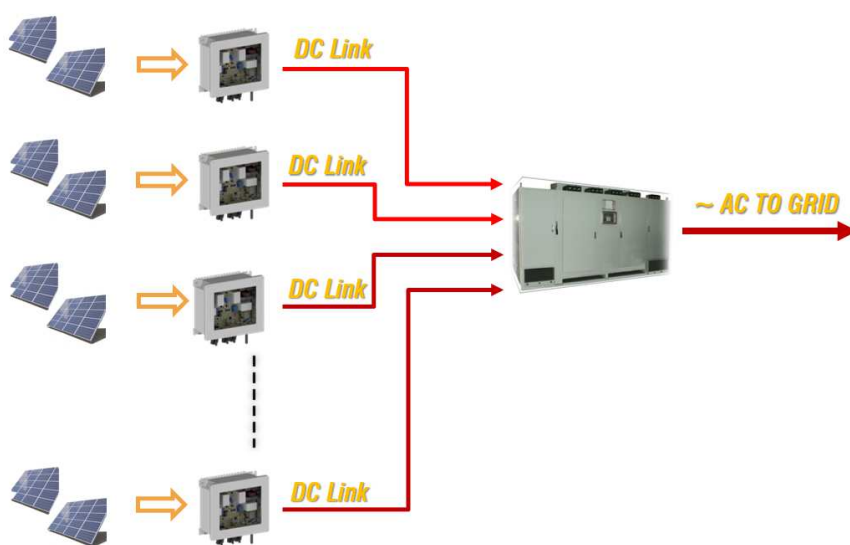
### Features:

- Generated 10% more energy
- High level filter system to secure PV module – decrease degradation losses
- Device allows connected two string of modules
- Higher MPPtracking resolution algorithm increases inverter rated power output
- High efficiency power conversion
- Decrease DC and AC wiring and combining box costs and reduce wire losses
- No electrolytic capacitors - increase lifetime
- Decrease AC inverter size
- Increase system efficiency
- Reduce annual O&M cost

### Benefits for investor:

- Reduce total system cost
- Increase return on investment
- Increase system lifetime performance

### MMB Multi String



# MMB SOLARIX 12.0 STRING OPTIMIZER

INPUT DATA	
Max. input $I_{mp}$ current ( $I_{dc}$ max) per MPPT	10 A
Max. array short circuit current per MPPT	12 A
Start voltage ( $U_{dc}$ start)	50 V
Max. input $U_{oc}$ voltage ( $U_{dc}$ max)	900 V
MPP voltage range ( $U_{mpp}$ min - $U_{mpp}$ max)	450 - 750 V
Number of MPPT	2
Max. input power per MPP trackers	6 kWp
Recommended number of modules per string	20 pieces of min. 250 Wp PV module
OUTPUT DATA	
Maximum output power	12 000 W
Nominal output voltage	750 V
Maximum current	16 A
GENERAL DATA	
Dimensions (height x width x depth)	260 x 252 x 130 mm
Weight	4 kg
Degree of protection	IP66
Ambient temperature	-20 to +55°C
Noise emission	0 dB(A)
Maximum permissible value for relative humidity	100%
Protection class	1
Overvoltage category	2
Topology / cooling concept - AC inverter	Boost / Passive cooling
EFFICIENCY	
MPP adaption efficiency	99,9 %
The efficiency of the module MPPT	98.9 %
PROTECTIVE DEVICES	
Ground fault protection	Yes
Reverse polarity input resistant	Yes
INTERFACES	
RS485	Modbus
USB (A socket) x2	Service port / inverter update
Wireless (option)	RF transceiver
Certificates and compliance with standards	IEC 61000-6-1, 61000-6-3, 62109; CE
Guarantee options:	15 / 20 / 25 years